

Product Detail

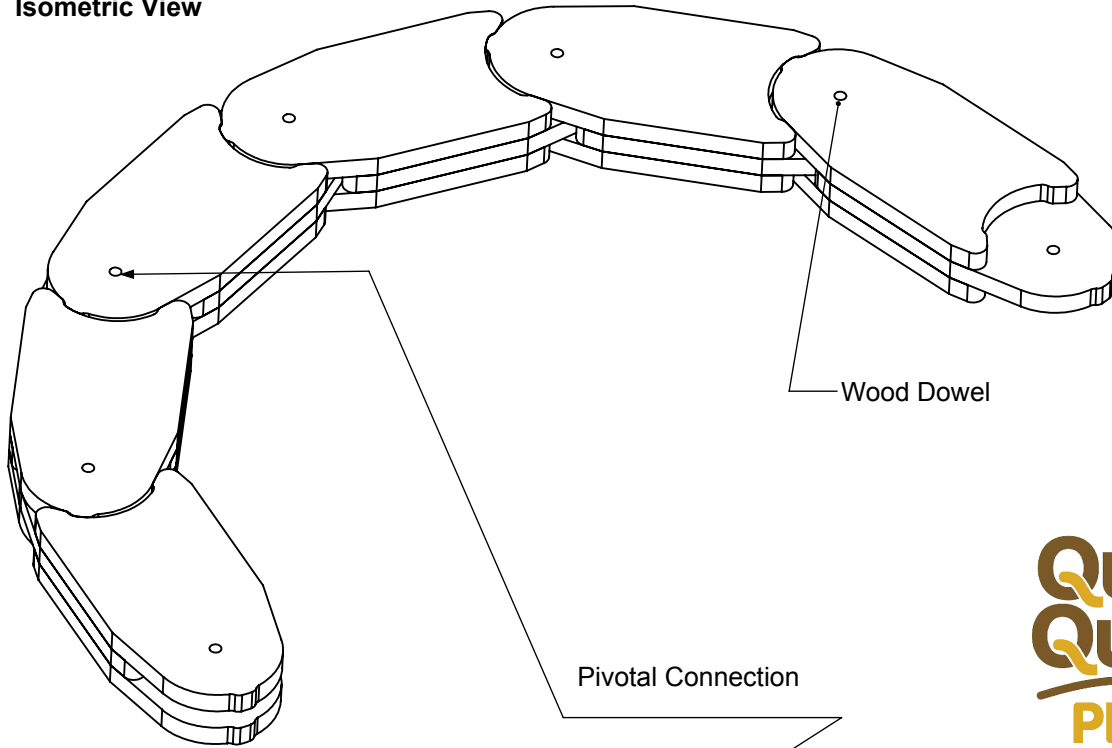
Quick Curve Plate

2 x 4 Untreated

Product Information

Quick Curve Plate is made from CDX Plywood

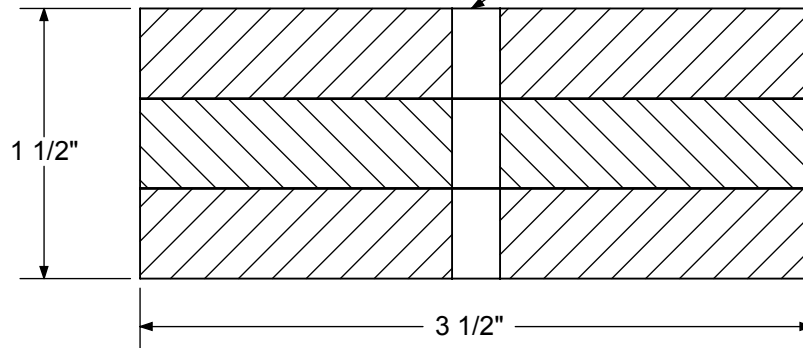
Isometric View



Wood Dowel

Pivotal Connection

Sectional View



1 1/2"

3 1/2"



**FLEX-ABILITY
CONCEPTS**

Distributor:
Contractor:
For Product Line PDM
Product Detail: PDW1

Quantity:
Approved By:
Architect:
Date:

5500 W. Reno, Suite 300
Oklahoma City, OK 73127
Tel: 405-996-5343 Fax: 405-996-5353
E-mail: info@flexabilityconcepts.com
Web: www.flexabilityconcepts.com