

### PRODUCT INFORMATION

LENGTH	GAUGE
16"	20
24"	20
16"	16
24"	16

All sizes contain 1 1/8" knockout for electrical services. Get that perfect, strong stud layout without pulling a tape or installing screws.

#### SPECIFICATIONS:

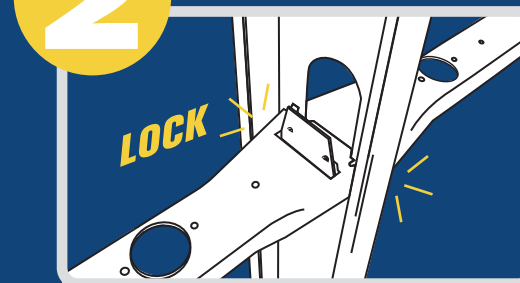
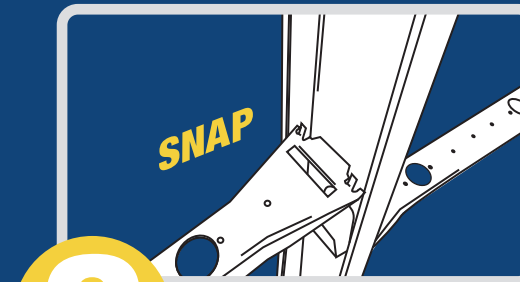
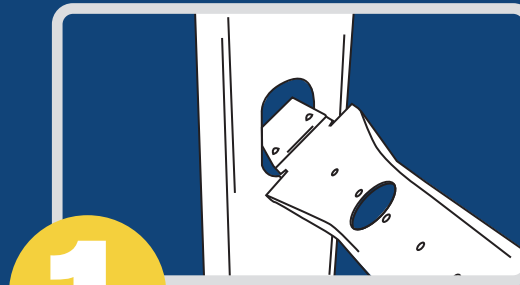
##### 20 Gauge Steel

- ASTM: C645, A653, structural grade 33, galvanized steel
- Coating Designation: Galvanized Steel equal or superior to ASTM A653 G40

##### 16 Gauge Steel

- ASTM: A653, C955, structural grade 50, galvanized steel
- Coating Designation: Galvanized or Galvanized Steel equal or superior to ASTM A653 G60

## Install with these EASY steps:



No more screws



No more twisting of studs



No more threading long pieces through studs



**Snap Lock is an easier, quicker & stronger way to snap your studs into layout and provide exceptional torsional stud restraint.**

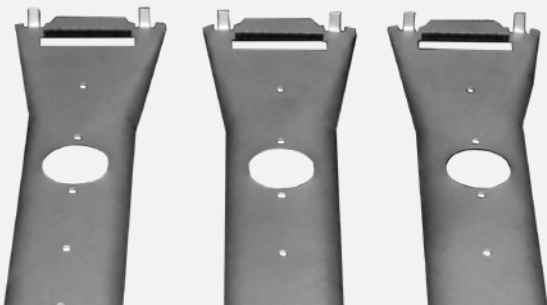
Just insert the tall tab end of Snap Lock into a stud knock-out.

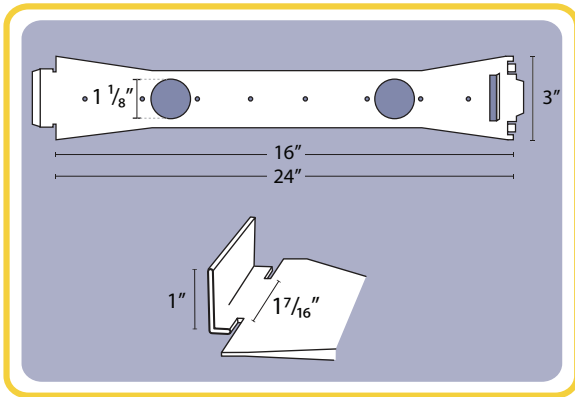
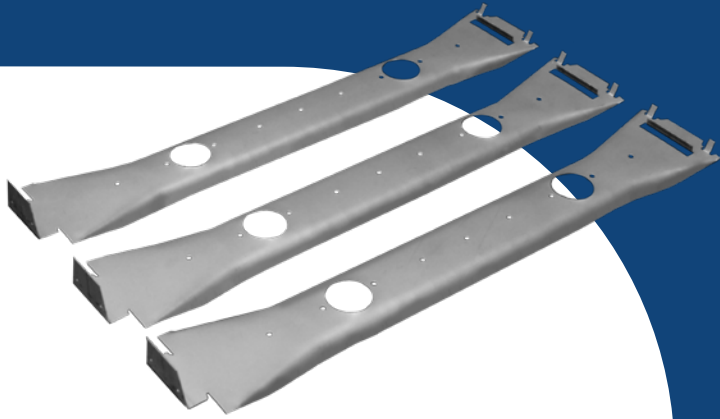
Push it down over the previous Snap Lock until it snaps!

See cut sheet for complete install instructions. Go to our website or scan the QR code for the instructional video.



**SNAP LOCK**  
video





**Installing long bridging products slowing you down?**

**Frustrated by too many clips and screws?**

FLEX-ABILITY CONCEPTS

TOLL FREE 866-443-FLEX (3539)

TEL 405.996.5343 FAX 405.996.5353

flexabilityconcepts.com  
info@flexabilityconcepts.com

**NEW!**

**SNAP LOCK**

BY

FLEX-ABILITY CONCEPTS