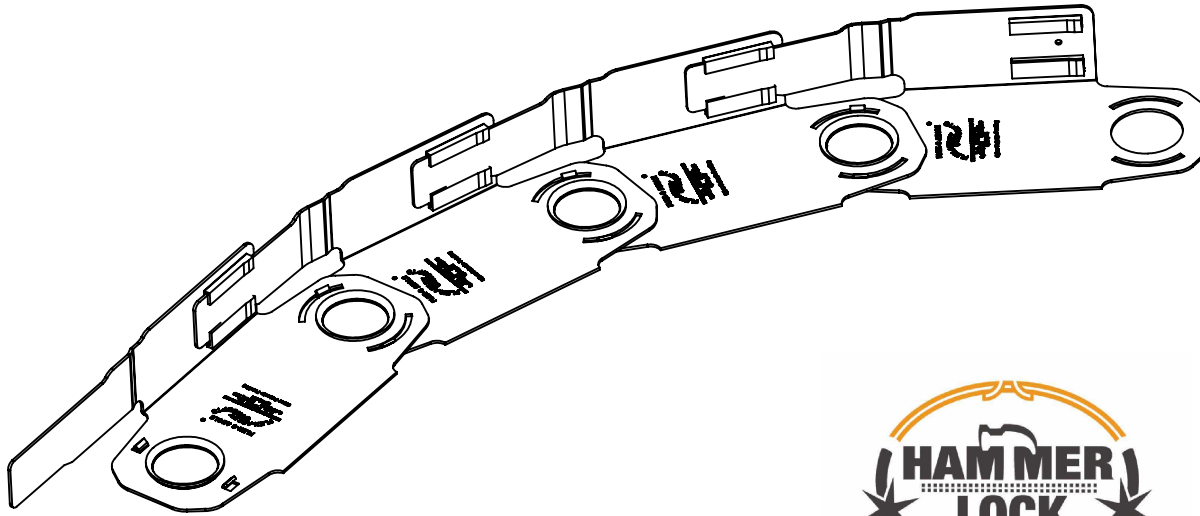


Product Detail

Flex-C Angle

16 Ga.

Isometric View



Specifications

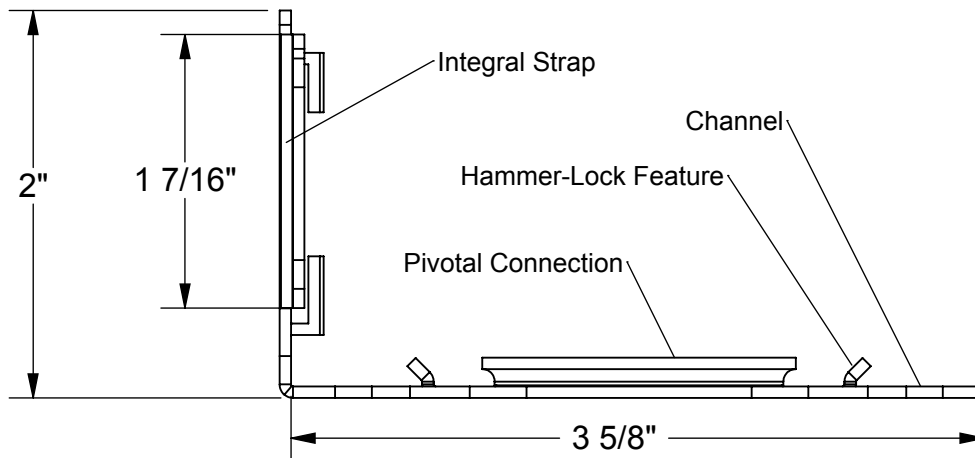
Channel:

- ASTM A653, structural grade 50, hot dipped galvanized steel
- Standard protective coating equal or superior to ASTM A653 coating designation G-60.
- 16 gauge
- Length: 10'

Integral Strap:

- The specifications for the strap are the same as the channel with 16 Ga. thickness

Sectional View



**FLEX-ABILITY
CONCEPTS**

3840 N. Tulsa Ave
 Oklahoma City, OK, 73112
 Tel: 405-996-5343 Fax: 405-996-5353
 E-mail: info@flexabilityconcepts.com
 Web: www.flexabilityconcepts.com

Distributor:
 Contractor:
 Project:
 Product Detail: PDM38

Quantity:
 Approved By:
 Architect:
 Date: