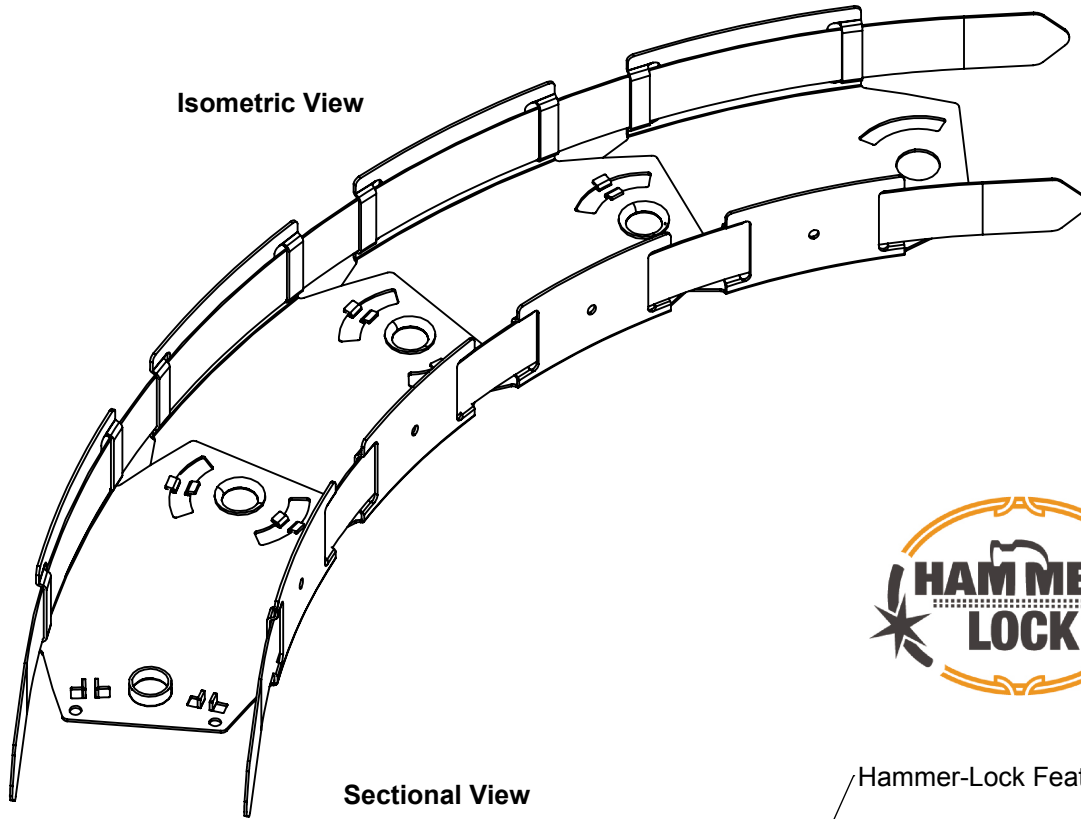


Product Detail

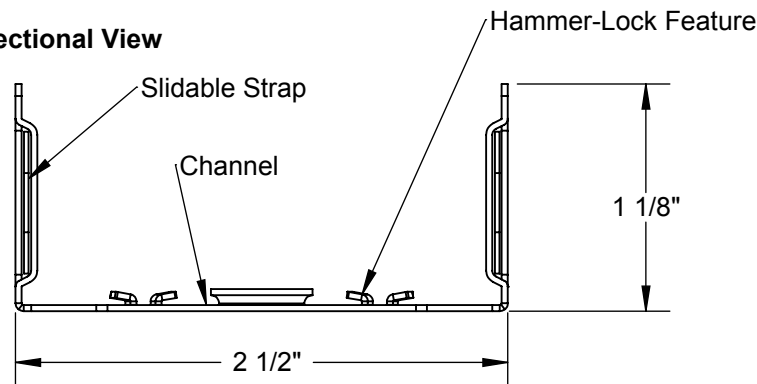
Flex-C Trac

2 1/2" - 20 Ga.

Isometric View



Sectional View



Specifications

Channel:

- ASTM A653, structural grade 33, hot dipped galvanized steel
- Standard protective coating equal or superior to ASTM A653 coating designation G-40 or A-40
- 20 gauge
- Length: 10'

Slidable Strap:

- ASTM A653, structural grade 80, galvanized steel
- Standard protective coating equal or superior to ASTM A653 coating designation G-60 or A-60

Dimensions: .750" x .023"

FLEX-ABILITY
CONCEPTS

Distributor:
Contractor:
For Product Line PDM
Product Detail: PDM1

Quantity:
Approved By:
Architect:
Date:

5500 W. Reno, Suite 300
Oklahoma City, OK 73127
Tel: 405-996-5343 Fax: 405-996-5353
E-mail: info@flexabilityconcepts.com
Web: www.flexabilityconcepts.com