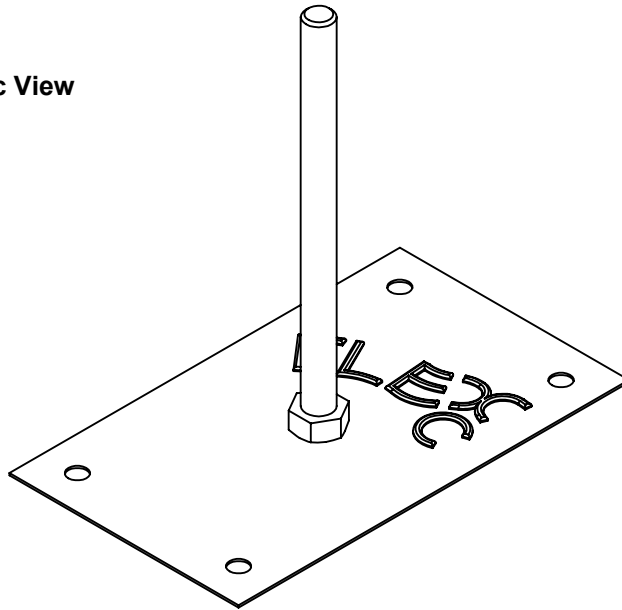


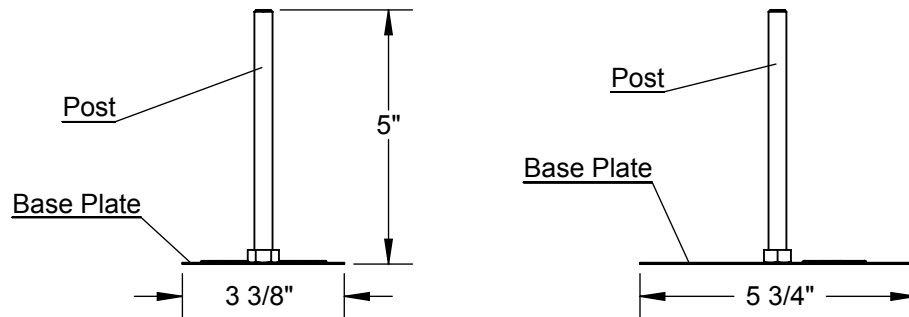
# Product Detail

## D-Flexion Post

Isometric View



Sectional View



### Specifications

**Base Plate:**

- ASTM A653, galvanized steel.
- Standard protective coating equal or superior to ASTM A653 coating designation G-40 or A-40.
- Dimensions: 3 3/8" x 5 3/4", 16 gauge.

**Post:**

- ASTM A307, Grade A, zinc plated steel bolt.
- Dimensions: 5" length, 3/8" diameter.

**FLEX-ABILITY  
CONCEPTS**

5500 W. Reno, Suite 300  
 Oklahoma City, OK 73127  
 Tel: 405-996-5343 Fax: 405-996-5353  
 E-mail: [info@flexabilityconcepts.com](mailto:info@flexabilityconcepts.com)  
 Web: [www.flexabilityconcepts.com](http://www.flexabilityconcepts.com)

Distributor:  
 Contractor:  
 For Product Line PDM  
 Product Detail: PDM18

Quantity:  
 Approved By:  
 Architect:  
 Date: