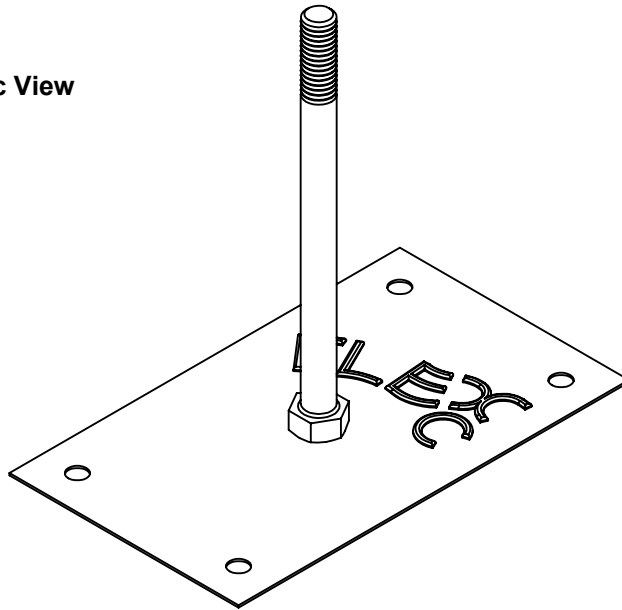


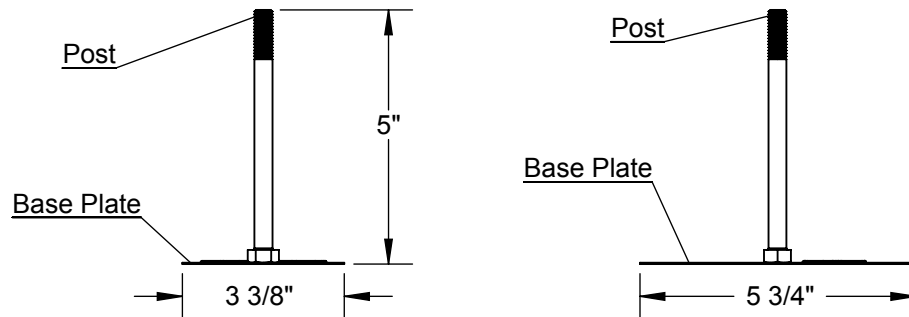
# Product Detail

## D-Flexion Post

Isometric View



Sectional View



### Specifications

#### Base Plate:

- ASTM A653, galvanized steel.
- Standard protective coating equal or superior to ASTM A653 coating designation G-40 or A-40.
- Dimensions: 3 3/8" x 5 3/4", 16 gauge.

#### Post:

- ASTM A307, Grade A, zinc plated steel bolt.
- Dimensions: 5" length, 3/8" diameter.

FLEX-ABILITY  
CONCEPTS

Distributor:  
Contractor:  
For Product Line PDM  
Product Detail: PDM18

Quantity:  
Approved By:  
Architect:  
Date:

5500 W. Reno, Suite 300  
Oklahoma City, OK 73127  
Tel: 405-996-5343 Fax: 405-996-5353  
E-mail: [info@flexabilityconcepts.com](mailto:info@flexabilityconcepts.com)  
Web: [www.flexabilityconcepts.com](http://www.flexabilityconcepts.com)