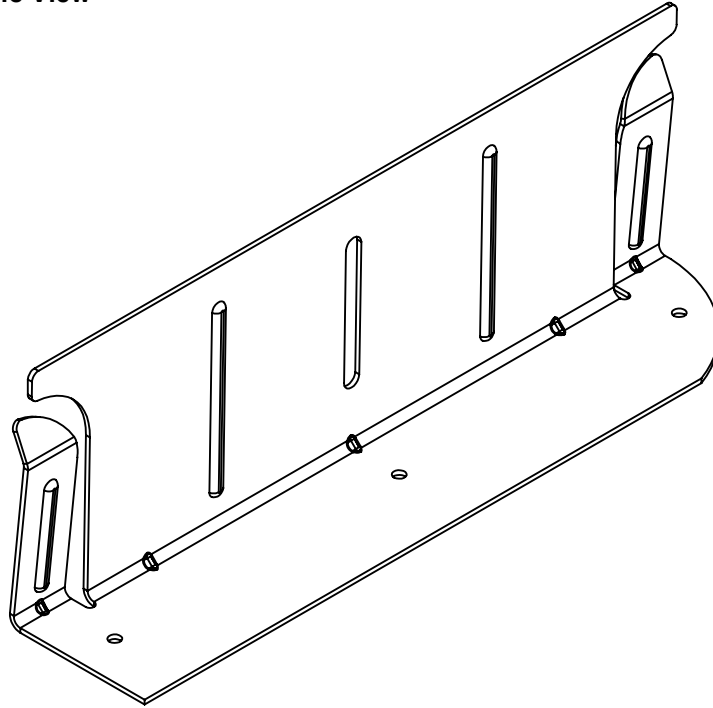


# Product Detail



## Three Legged Dog 10" Deflection Clip

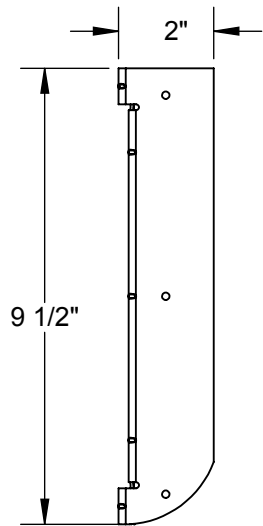
Isometric View



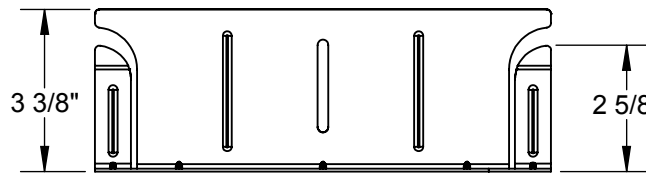
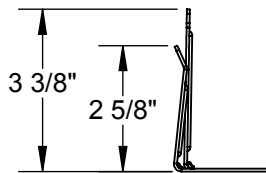
### Specifications

**Channel:**

- ASTM A653, structural grade 50, hot dipped galvanized steel
- Standard protective coating equal or superior to ASTM A653 coating designation G-60
- 16 gauge



Alternate Views



**FLEX-ABILITY  
CONCEPTS**

Distributor:  
Contractor:  
For Product Line PDM  
Product Detail: PDM47

Quantity:  
Approved By:  
Architect:  
Date:

5500 W. Reno, Suite 300  
Oklahoma City, OK 73127  
Tel: 405-996-5343 Fax: 405-996-5353  
E-mail: [info@flexabilityconcepts.com](mailto:info@flexabilityconcepts.com)  
Web: [www.flexabilityconcepts.com](http://www.flexabilityconcepts.com)